

Tehničke karakteristike proizvoda

Karakteristike

ZB5AA341

glava udubljenog zelenog tastera Ø22 sa
povratkom "ON"



Osnovne informacije

Grupa proizvoda	Harmony XB5
Tip proizvoda ili komponente	Glava za nesvetleći taster
Kratko ime uređaja	ZB5
Materijal podnožja	Tamno siva plastika
Prečnik za montiranje	22 mm
Tip glave	Standardni
Prodaja po nedeljivim količinama	1
Oblik glave signalne jedinice	Okrugla
Tip glave uređaja	Sa povratkom
Profil glave uređaja	Zelena udubljena, ON (bela)

Dopunske informacije

Cad ukupna širina	29 mm
Cad ukupna visina	29 mm
Cad ukupna dubina	28 mm
Masa proizvoda	0,018 kg
Mehanička trajnost	10000000 ciklusa
Ime stanice	XALD 1...5 izreza XALK 2...5 izreza
Kod	C1 za <9 kontakti koristeći jednostruke blokove u prednja ugradnja C2 za <9 kontakti koristeći jednostruke i dvostruke blokove u prednja ugradnja C11 za <3 kontakti koristeći jednostruke blokove u prednja ugradnja C15 za <1 kontakti koristeći jednostruke blokove u prednja ugradnja SF1 za <3 kontakti koristeći jednostruke blokove u prednja ugradnja SR1 za <3 kontakti koristeći jednostruke blokove u zadnja montaža
Prezentacija uređaja	Osnovni element

Okruženje

Tretman zaštite	TH
Temperatura okoline za skladištenje	-40...70 °C
Temperatura okoline za rad uređaja	-40...70 °C
Kategorija prenapona	Klasa II u skladu sa IEC 60536
Ip stepen zaštite	IP66 u skladu sa IEC 60529 IP67 IP69 IP69K
Nema stepen zaštite	NEMA 13 NEMA 4X
Otpornost na uređaj za pranje pod pritiskom	7000000 Pa pri 55 °C, razdaljina : 0.1 m
Ik stepen zaštite	IK03 conforming to IEC 50102

Standardi	IEC 60947-5-1 CSA C22.2 No 14 IEC 60947-1 UL 508 IEC 60947-5-4 JIS C8201-5-1 JIS C8201-1
Sertifikacija proizvoda	UL odobrenje[RETURN]DNV[RETURN]LROS (Lloyds register of shipping) [RETURN]CSA[RETURN]JGL[RETURN]BV
Otpornost na udare	30 gn (trajanje = 18 milisekundi) za ubrzanje polovine sinusne periode u skladu sa IEC 60068-2-27 50 gn (trajanje = 11 milisekundi) za ubrzanje polovine sinusne periode u skladu sa IEC 60068-2-27
Otpornost na vibracije	5 gn (f= 2...500 Hz) u skladu sa IEC 60068-2-6

Pakovanje

Unit Type of Package 1	PCE
Number of Units in Package 1	1
Package 1 Height	3,000 cm
Package 1 Width	3,600 cm
Package 1 Length	4,800 cm
Package 1 Weight	16,000 g
Unit Type of Package 2	BB1
Number of Units in Package 2	5
Package 2 Height	4,200 cm
Package 2 Width	3,300 cm
Package 2 Length	26,000 cm
Package 2 Weight	87,000 g
Unit Type of Package 3	S02
Number of Units in Package 3	150
Package 3 Height	15,000 cm
Package 3 Width	30,000 cm
Package 3 Length	40,000 cm
Package 3 Weight	2,850 kg

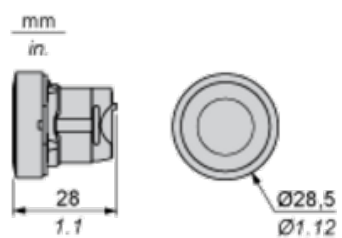
Održivost ponude

Status održive ponude	Green Premium proizvod
Propis REACh	REACh Deklaracija
REACh bez SVHC	Da
EU RoHS direktiva	Proaktivna usaglašenost (proizvod nije u zakonskom okviru direktive EU RoHS)
Bez žive	Da
RoHS regulativa za Kinu	RoHS Deklaracija Za Kinu
Informacije o RoHS izuzecima	Da
Izjava o zaštiti okoliša	Profil Ekološke Prihvatljivosti Proizvoda
Profil cirkularnosti	Informacije O Kraju Radnog Veka

Ugovorna garancija

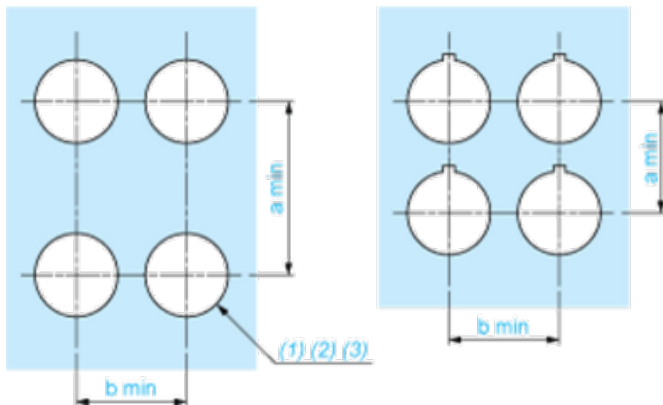
Garancija	18 months
-----------	-----------

Dimensions



Panel Cut-out for Pushbuttons, Switches and Pilot Lights (Finished Holes, Ready for Installation)

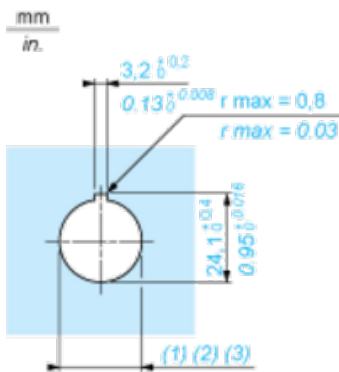
Connection by Screw Clamp Terminals or Plug-in Connectors or on Printed Circuit Board



- (1) Diameter on finished panel or support
- (2) For selector switches and Emergency stop buttons, use of an anti-rotation plate type ZB5AZ902 is recommended.
- (3) $\varnothing 22.5$ mm recommended ($\varnothing 22.3_0^{+0.4}$) / $\varnothing 0.89$ in. recommended ($\varnothing 0.88$ in. $_0^{+0.016}$)

Connections	a in mm	a in in.	b in mm	b in in.
By screw clamp terminals or plug-in connector	40	1.57	30	1.18
By Faston connectors	45	1.77	32	1.26
On printed circuit board	30	1.18	30	1.18

Detail of Lug Recess



- (1) Diameter on finished panel or support
- (2) For selector switches and Emergency stop buttons, use of an anti-rotation plate type ZB5AZ902 is recommended.
- (3) $\varnothing 22.5$ mm recommended ($\varnothing 22.3_0^{+0.4}$) / $\varnothing 0.89$ in. recommended ($\varnothing 0.88$ in. $_0^{+0.016}$)

Pushbuttons, Switches and Pilot Lights for Printed Circuit Board Connection

Panel Cut-outs (Viewed from Installer's Side)



A: 30 mm min. / 1.18 in. min.

B: 40 mm min. / 1.57 in. min.

Printed Circuit Board Cut-outs (Viewed from Electrical Block Side)

Dimensions in mm



A: 30 mm min.

B: 40 mm min.

Dimensions in in.

(4) Printed circuit board

Mounting of Adapter (Socket) ZBZ01•

- 1 2 elongated holes for ZBZ006 screw access
- 2 1 hole \varnothing 2.4 mm \pm 0.05 / 0.09 in. \pm 0.002 for centring adapter ZBZ01•
- 3 8 \times \varnothing 1.2 mm / 0.05 in. holes
- 4 1 hole \varnothing 2.9 mm \pm 0.05 / 0.11 in. \pm 0.002, for aligning the printed circuit board (with cut-out marked a)
- 5 1 elongated hole for aligning the printed circuit board (with cut-out marked b)
- 6 4 holes \varnothing 2.4 mm / 0.09 in. for clipping in adapter ZBZ01•

Dimensions An + 18.1 relate to the \varnothing 2.4 mm \pm 0.05 / 0.09 in. \pm 0.002 holes for centring adapter ZBZ01•.

Electrical Composition Corresponding to Code C1



Electrical Composition Corresponding to Code C2



Electrical Composition Corresponding to Codes C9, C11, SF1 and SR1

Electrical Composition Corresponding to Code C15

1 N/O

1 N/C

1 N/O + N/C or 1 N/O + N/O or 1 N/C + N/C

Legend

Single contact

Double contact

Light block

Possible location

