

Tehničke karakteristike proizvoda

Karakteristike

XACB06

prazna viseća upravljačka stanica XAC-B - 6
vertikalnih otvora



Osnovne informacije

Grupa proizvoda	Harmony XAC
Tip proizvoda ili komponente	Upravljačka stanica
Kratko ime uređaja	XACB

Dopunske informacije

Upotreba upravljačke stanice	Dvostruko izolovana
Materijal kućišta	Staklom ojačan poliester
Tip električnog kola	Upravljačko kolo Kolo napajanja
Tip ormara	Prazan ormar
Broj otvora	6 izreza
Boja upravljačke stanice	Žuta
Kablovski uvod	Gumena kablovska spojnica sa stepenastim uvodom 10...22 mm
Rukohvat	Bez
Razmak vertikalnih otvora	40 mm
Standardi	CSA C22.2 No 14 IEC 60947-5-1
Sertifikacija proizvoda	CSA tip 4
Tretman zaštite	TH
Temperatura okoline za rad uređaja	-25...70 °C
Temperatura okoline za skladištenje	-40...70 °C
Otpornost na vibracije	15 gn (f= 10...500 Hz) u skladu sa IEC 60068-2-6
Otpornost na udare	100 gn u skladu sa IEC 60068-2-27
Kategorija prenapona	Klasa II u skladu sa IEC 61140
Ip stepen zaštite	IP65 u skladu sa IEC 60529
Ik stepen zaštite	IK08 u skladu sa IEC 62262
Mehanička trajnost	1000000 ciklusa
Masa proizvoda	1,16 kg

Pakovanje

Unit Type of Package 1	PCE
Number of Units in Package 1	1
Package 1 Height	10,0 cm
Package 1 Width	11,0 cm
Package 1 Length	70,0 cm
Package 1 Weight	1,245 kg
Unit Type of Package 2	P06

Number of Units in Package 2	25
Package 2 Height	73,5 cm
Package 2 Width	80,0 cm
Package 2 Length	60,0 cm
Package 2 Weight	39,125 kg

Održivost ponude

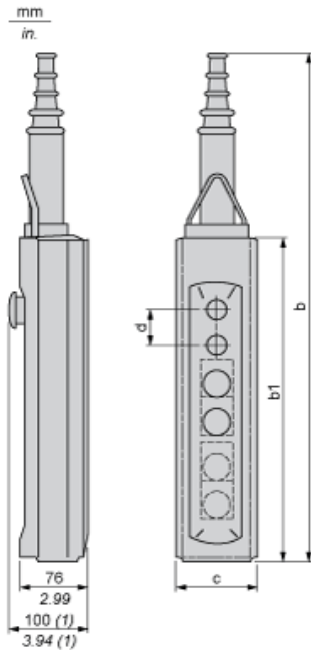
Propis REACH	REACH Deklaracija
REACH bez SVHC	Da
EU RoHS direktiva	Proaktivna usaglašenost (proizvod nije u zakonskom okviru direktive EU RoHS) EU RoHS deklaracija
Bez toksičnih teških metala	Da
Bez žive	Da
RoHS regulativa za Kinu	RoHS Deklaracija Za Kinu
Informacije o RoHS izuzecima	Da

Ugovorna garancija

Garancija	18 meseci
-----------	-----------

Dimensions

Below drawing shows a product with 6 cut-outs. Select the number of cut-outs according to the product characteristics in order to get b, b1 and c dimensions.



(1) With mushroom head operator

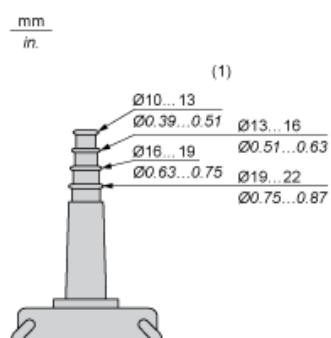
Dimensions in mm

Number of cut-outs	2	4	6	8	12
b	409	499	589	679	679
b1	220	310	400	490	490
c	98	98	98	98	98
d	40	40	40	40	30

Dimensions in in.

Number of cut-outs	2	4	6	8	12
b	16.10	19.64	23.19	26.73	26.73
b1	8.66	12.20	15.75	19.29	19.29
c	3.86	3.86	3.86	3.86	3.86
d	1.57	1.57	1.57	1.57	1.18

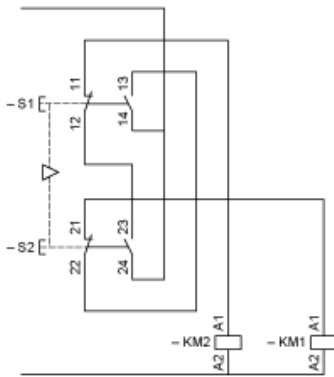
Protective cable sleeves



(1) Internal Ø

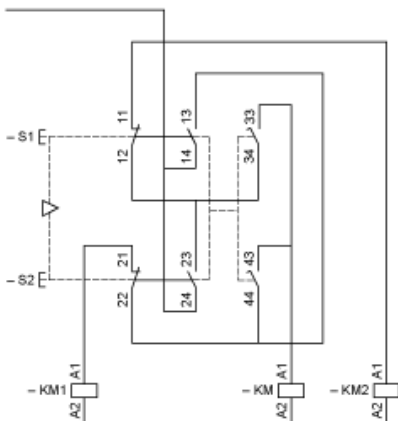
Control of Single-Speed Reversing Motor

With XESD1181 contact block, to be ordered separately



Control of 2-Speed Reversing Motor

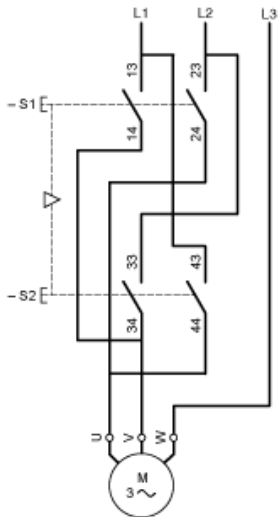
With XESD1281 contact block, to be ordered separately



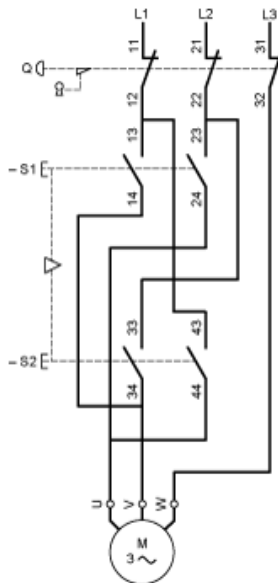
KM High speed contactor

Control of Single-Speed Reversing Motor 2-Phase Switching

With XESD1191 contact block, to be ordered separately

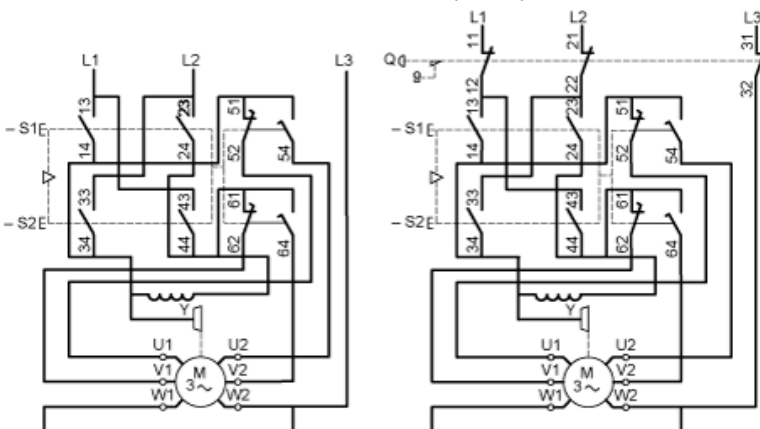


Combined with 3-pole isolating block XACS399 or XACS3991, shown in the unoperated position (pendant station “supplied”), fitted with key release trigger action latching Emergency stop operator.



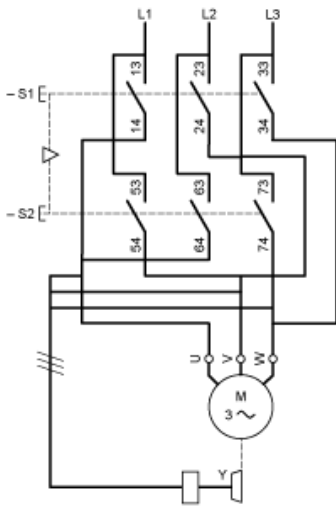
Control of 2-Speed Reversing Motor 2-Phase Switching

With XESD1291 contact block, to be ordered separately



Control of Single-Speed Reversing Motor 3-Phase switching, Reversing by 2-Phase Inversion

With XESD2201 contact block, to be ordered separately



Control of Single-Speed Reversing Motor 3-Phase switching, Reversing by 2-Phase Inversion

With XESD2241 contact block, to be ordered separately

